

ST CUSTOM TOYS

BUILD IT YERSELF SERIES

BALISTIC MISSILE LAUNCHER

Tip to save time and materials:

To make multiple bases and parts:

Run your 2" x 6" x 6" board thru the table

saw at a 45 degree angle, to result in this:

Then cut the board every 2 3/4 inches.

This will result in several cuts for the vehicles.

Simply cut the remaining pieces in half.



TO MAKE THE BATTERY BOX VERY EASY TO ASSEMBLY, DRILL HOLES IN THE TOP AND BOTTOM OF THE BOX.

IF YOU ARE MAKING THE WHOLE SET,
MAKE A FEW EXTRA BASES BECAUSE
SOME BASES GET DAMAGED IN CUTTING PROCESS.

IF PAINTING, WE RECOMMEND SPRAYING
ON LATEX PAINT AS THE WOOD ABSORBS
SEVERAL COATS OF BRUSHED ON PAINT.

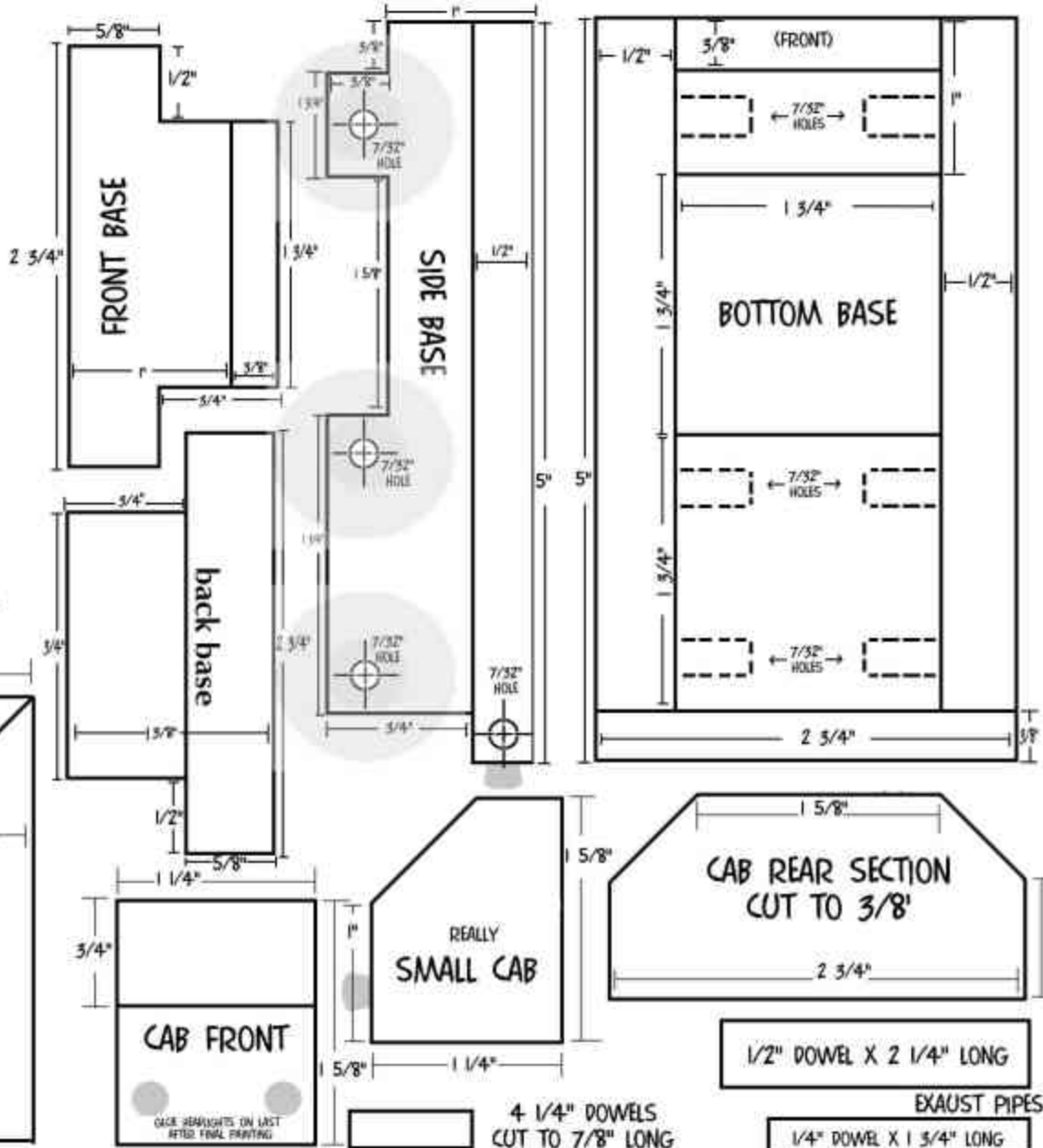
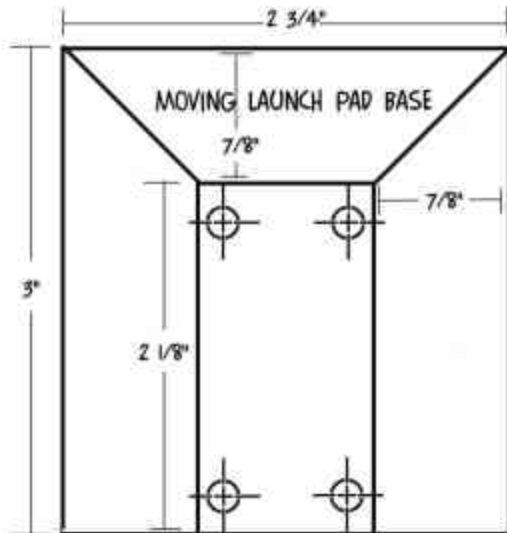
IF YOU STAIN YOUR PIECES, COAT WITH
POLYURETHANE FOR AT LEAST FIVE COATS
SANDING WITH 220 GRIT BETWEEN COATS.

ALWAYS WEAR EYE PROTECTION

IF YOU ARE BUILDING THIS TOY FOR VERY YOUNG KIDS

SAND THE MISSILE DOWN DULLER,
IN CASE THE CHILD THROWS IT.

DRILL INTO ROCKET LAUNCHER BASE AT 45 DEGREE ANGLE
TO GIVE ROCKET TRAJECTORY



SAND POWEL ROD INTO CONE
NOTE THE YOUNGER THE KIPS, THE ROLLER THE NOSE CONE

NOTES

THIS TOY CAN BE MADE FROM A STANDARD 2X6 FOUND AT ANY LUMBERYARD
WHEELS, WHEELPEGS AND POWEL RODS CAN BE PURCHASED AT ANY CRAFT STORE

FOR BEST RESULTS WITH ANGLES AND PEGS, WE SUGGEST USING A HOLE PRESS.

ALWAYS WEAR EYE PROTECTION

IF YOU INTEND TO PAINT OR FINISH YOUR PIECES SAND FULLY, START WITH 100 GRIT, WORK UP TO 180

DRILL **ALL** WHEEL HOLES WITH 7/32" DRILLBIT.

DRILL **ALL** WHEEL HOLES 5/8" DEEP

HEADLIGHTS AND TAILLIGHTS ARE GLED ON AFTER FINAL PAINTING IS COMPLETE

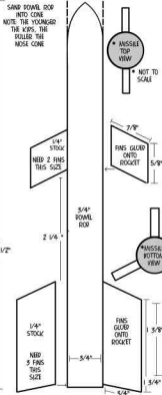
CHILDREN ANY THROW SMALL PARTS, PLEASE USE CAUTION WITH KIPS UNDER 5

DRILL WHEEL HOLES AFTER PAINTING TO AVOID SPILLING EXCESS PAINT INTO WHEEL HOLES.

FULLY PAINT ALL WHEELS BEFORE INSTALLATION, OR YOU CANT PAINT BACK SIDE OF WHEEL.

USE CARBON PAPER TO TRACE PATTERN ONTO WOOD. IF YOU PREFER THIS TO USING MEASUREMENTS.

WOOD ANYWAY
WOOD
GLUE
FINE PARTICLE BLOCK
FINE ABRASIVE BLOCK
PERSONAL CARE
BLOCK (WOOD) BLOCK
WOOD BLOCK
WOOD ON BLOCK
WOOD BLOCK
WOOD
WOOD
WOOD FOR THE BEST USE OF THE PARTS

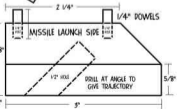


YOU NEED

FOR EACH MISSILE TRUCK

- 6 STANDARD 1/4" WOODEN WHEELS
- 6 STANDARD 1/4" WHEEL PEGS

(WITH AVAILABLE AT YOUR LOCAL CRAFT STORE)



ST CUSTOM TOYS

BUILD IT YOURSELF SERIES

Military Series



DETAILED PLANS



Bolistic Missile Launcher

Fully Rotating Launchpad and working wheels with Removable Missile

Full Size Detailed Plans
Easy to read Instructions